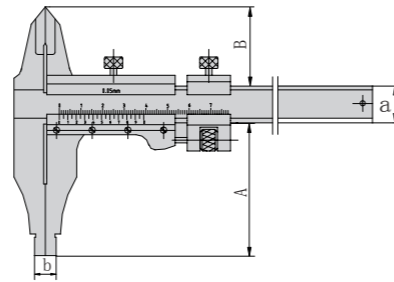


## 游标卡尺602 Vernier Calipers 602

- 采用优质碳钢或不锈钢制造
  - 可用于内尺寸、外尺寸测量以及划线
  - 主尺、尺框刻线面无光镀铬
  - 主尺、尺框整体热处理，测量面淬硬
  - 符合GB标准
- Made of high quality carbon steel or stainless steel.
  - They are used to measure outside, inside dimensions and scribing in machining.
  - The main scale and the vernier are satin chromed.
  - The beam and the vernier are entirely heat-treated, and all the measuring faces are specially hardened.
  - Meet GB standards.

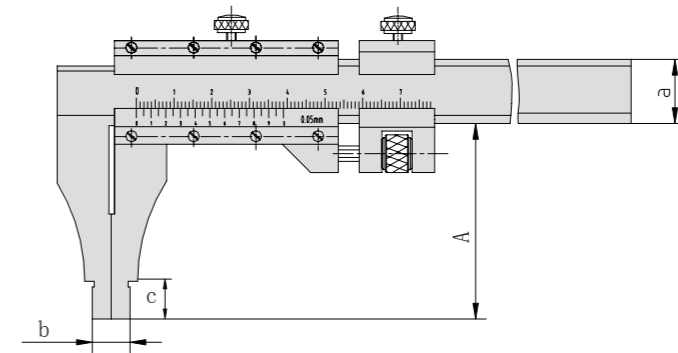


编号 Item No.	测量范围 Measuring range	分度值 Graduation	示值误差 Indication Error	a	A	b	B	备注 Remarks
602-01(S)	0-200	0.02	± 0.03	17	60	10	38	碳钢(不锈钢) Ⅲ型
602-05(S)	0-300		± 0.04					

mm

## 游标卡尺603A Vernier Calipers 603A

- 采用优质碳素钢或不锈钢制造
  - 可用于内尺寸、外尺寸测量
  - 符合GB标准。
- Made of high-quality carbon steel or stainless steel
  - They are used to measure outside, inside dimensions.
  - Meet GB standards.



mm

编号 Item No.	测量范围 Measuring range	分度值 Graduation	示值误差 Indication Error	A	b	c	a	备注 Remarks
603A-01(S)	0-500	0.02	± 0.05	100	10	12	21	Ⅳ型
603A-03(S)	0-600		± 0.06					
603A-05(S)	0-1000		± 0.07					
603A-07(S)	0-1500	0.02/0.05	± 0.11/± 0.16	150	20	20	40	
603A-08(S)	0-2000	0.02/0.05	± 0.14/± 0.20	200	30	20	48	
603A-10(S)	0-3000	0.05	± 0.31	260	40	20	76	Ⅳ型★
603A-11(S)	0-4000		± 0.40					Ⅳ型★▲
603A-12(S)	0-5000		± 0.49					Ⅳ型★▲

注：★为特殊订货  
▲为企业标准  
S 为材质为不锈钢

Note: ★For a special order  
▲For enterprise standards  
S Material is stainless steel.